

## Megapixel Bullet Network Camera



### OB-100A Series

- H.264, MPEG-4 and MJPEG Triple Codec Compression with Dual Simultaneous Streaming
- High power PoE
- Built-in Micro SD/SDHC Memory Card Slot for Local Storage (\*)
- 1 DI/DO for External Alarm and Sensor Device
- Smart Focus to get excellent image quality easily (\*)
- IEEE 802.11a/b/g/n Compliance (\*)
- Built-in 3G SIM slot (\*)
- IP67 Outdoor enclosure Built-in Fan and Heater (\*)

#### Camera Accessories



**CI-807 / CI-812 (OP-100AP)**  
Camera Stand



**GEM04-222008A**  
Wi-Fi Dual Band Omni Antenna



**GEM07-15072A**  
3G Antenna



**GEM04-222060**  
Wi-Fi Dual Band Antenna



**GEM04-222070**  
Wi-Fi Dual Band Patch Antenna

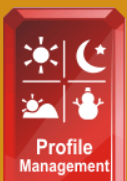
#### Network Equipments



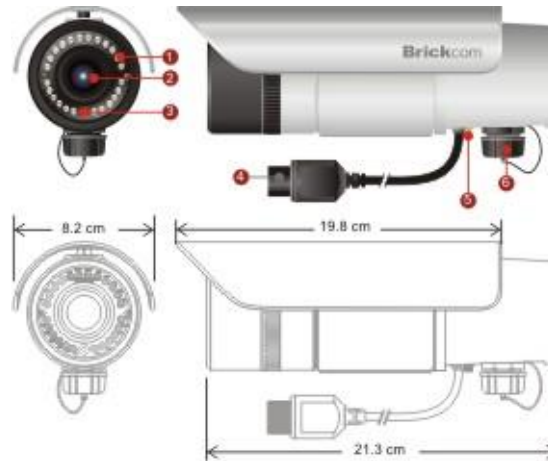
**DWRT-600N**  
Dual-Band Wireless N Router



**POE30U**  
PoE Injector



#### Dimension Diagram (OB-100Ap Series)



1. IR LED
2. Lens
3. Light Sensor
4. RJ45 Connector 1 (for Ethernet and High Power POE)
5. Antenna Connector
6. RJ45 Connector 2 (for Audio in/out, RS485, DIDO)

#### Dimension Diagram (OB-100Ae Series)



1. IR LED
2. Lens
3. Light Sensor
4. IO Interface

**OB-100A Series**

**Camera**

**Model Number** **OB-100Ae** - Outdoor/ Megapixel/ IR LED/ 2 Way Audio/ Ethernet/ POE/ DIDO/ RS485/ Weather-Proof  
**WOB-100Ae** - Outdoor/ Megapixel/ IR LED/ 2 way Audio/ Micro SDHC/ Ethernet/ POE/ Wi-Fi/ DIDO/ RS485/ Weather-Proof  
**OB-100Ap** - Outdoor/ Megapixel/ IR LED/ 2 way Audio/ Micro SDHC/ Ethernet/ POE/ DIDO/ RS485/ Weather-Proof/ Smart Focus  
**WOB-100Ap** - Outdoor/ Megapixel/ IR LED/ 2 way Audio/ Micro SDHC/ Ethernet/ POE/ Wi-Fi/ DIDO/ RS485/ Weather-Proof/ Smart Focus  
**GOB-100Ap** - Outdoor/ Megapixel/ IR LED/ 2 way Audio/ Micro SDHC/ Ethernet/ POE/ 3G/ DIDO/ RS485/ Weather-Proof/ Smart Focus

**Hardware System** CPU: 500 MHz  
Flash: 16M  
RAM: 128M DDR

**Image Sensor** Sensor Type : 1/4" CMOS Megapixel Sensor  
Sensor Resolution : 1280 x 800 pixel  
Minimum Illumination : 0.68 Lux / F1.4 (Without IR LED )  
0 Lux / F1.4 ( With IR LED )

**Lens** Lens Type : Moto-focal with Auto-Iris  
**(OB-100Ap/ WOB-100Ap/ GOB-100Ap)**, IR corrective  
Focal Length: f= 3.3~12 mm, 3.6X  
View Angle (Hor): 63.6° ~17.9° (Ver): 46.5° ~13.5° (Dia): 82.7° ~ 22.4 °

**Day & Night Support** Mechanical ICR and 24pcs IR LEDs, triggered by sensor  
IR distance: 15m  
IR wavelength: 850nm  
Bean Angle: 40°

**Video**

**Video Image Compression** H.264 / MPEG4 / MJPEG  
**Video Setting** Auto Exposure Control: Sport, Normal, Night Vision, User Defined  
Auto Gain Control: 1X~5X  
Shutter Speed: 1/5~1/20000

**Image Resolution** - 1280 x 800  
- 640 x 400

**Frame Rate at Max. Resolution** **OB-100Ae/ WOB-100Ae**  
H.264: 15 fps  
MPEG4: 15 fps  
MJPEG: 30 fps  
**OB-100Ap/ WOB-100Ap/ GOB-100Ap**  
H.264: 30 fps  
MPEG4: 15 fps  
MJPEG: 30 fps

**Audio**

**Audio Streaming** Two-way audio support

**Audio Compression** G.711, AMR (8 kHz, Mono, PCM)

**Audio Input** External microphone or line input (Unbalanced, 1.4 Vp-p, 1 Vrms)

**Audio output** Line output

**Network**

**Communication** Ethernet : one 10/100Mbps RJ-45 IEEE 802.11a/b/g/n compliance (**WOB-100Ap/ WOB-100Ae**)  
HSUPA/UMTS 850/1900/2100 (**GOB-100Ap**)  
Supported Protocols : TCP/IP, UDP, ICMP, DHCP, NTP, DNS, DDNS, SMTP, FTP, HTTP, Samba, PPPoE, UPnP, RTP, RTSP, RTCP, Wireless 802.11 a/b/g/n (**WOB-100Ap**)

**General**

**Interface & Buttons** **OB-100Ae/ WOB-100Ae**  
DC Power Connector  
Ethernet Cable Connector  
Terminal Block1 (General I/O)  
Terminal Block2 (AC24V, RS485)  
External MIC/Line Input  
External Audio output  
Reset Button  
Reset Button  
**WPS Button (WOB-100Ae)**  
Detachable Antenna Connector (**WOB-100Ae**)

**OB-100Ap/ WOB-100Ap/ GOB-100Ap**  
RJ45 connector1 (for Ethernet and High power POE)  
RJ45 connector2 (for Audio in/out,RS485, DIDO)  
Reset button  
External Antenna reserve SMA connector (**WOB-100Ap**)  
Micro SD/SDHC memory card slot 3G SIM slot (**GOB-100Ap**)

**Power input** **OB-100Ae/ WOB-100Ae**  
High Power PoE / AC24V / DC12V/1A  
**OB-100Ap/ WOB-100Ap/ GOB-100Ap**  
High Power PoE / DC48V/0.8A

**LEDs** Status (Power/Link)

**Power consumption** **OB-100Ae/ WOB-100Ae**  
Max Power Consumption : 12 watts  
**OB-100Ap/ WOB-100Ap/ GOB-100Ap**  
Max Power Consumption : 30 watts

**Environment** Water Proof: IP67  
**OB-100Ae/ WOB-100Ae**  
Operating Temperature : -40°C ~ 60°C (-40°F ~140°F), build in fan and heater  
Operating Humidity : 10% ~ 80%

**OB-100Ap/ WOB-100Ap/ GOB-100Ap**  
Operating Temperature : -20°C ~ 50°C (-4°F ~122°F)  
Operating Humidity : 10% ~ 80%

**Dimension** **OB-100Ae/ WOB-100Ae** - 70(D) \* 166(H) mm  
**OB-100Ap/ WOB-100Ap/ GOB-100Ap** - 70(D) \* 166(H) mm

**Weight** **OB-100Ae** - Net: 1100 g  
**WOB-100Ae** - Net: 1150 g  
**OB-100Ap** - Net: 1100 g  
**WOB-100Ap** - Net: 1150 g  
**GOB-100Ap** - Net: 1150 g

**Humidity** 10% ~ 80%

**Certification** FCC, CE

**Warranty** Limited 2-year warranty

(\* These are optional features. Please refer to the Buying Guide for the full list of optional features available for this product.